



Submittal Data

FLXL1D/FLXL2D Superbrute Module UPS60-150



FLXL1D

FLXL2D

Project Name:	Representative:	
Contractor:	Engineer:	
Ref/P.O. #:	Date:	
Submitted by:	Date:	
Qty:	Part #:	Description:

Technical Data

Circulator(s):	Grundfos Series UPS60-150, 3-Speed, cast iron pump volute	Max. Fluid Temperature: 140° F Min. Fluid Temperature: 15° F Max. Operating Pressure: 145 psig Min. Operating Pressure: 3 psig Ambient Air Temp: 33° to 100° F
Cabinet:	Powder-coated steel	
Insulation:	CFC-free, polyurethane foam	
Valves:	2" Full-port, 3-Way, 4-Position flushing and service valve, Forged Brass, C37700, NBR seals	
Coupling (Valve to pump):	HDPE PE4710, NBR seals	

Approved Antifreeze

Ethanol
Methanol
Propylene Glycol
Environol™

Electrical Data

Motor: 208-230 Volt, 60 Hz, single phase, 2-pole, ETL listed, internal thermal overload protection, insulation class H

Capacitor: 10 µF/400 V

Model	MAX HP* (3 Speed)	Speed	RPM	Amps*	Watts*
UPS60-150, 1 X 208-230 V	1/6	3	3400	1.7	370
		2	3300	1.6	335
		1	3100	1.3	265

*Data is maximum per pump

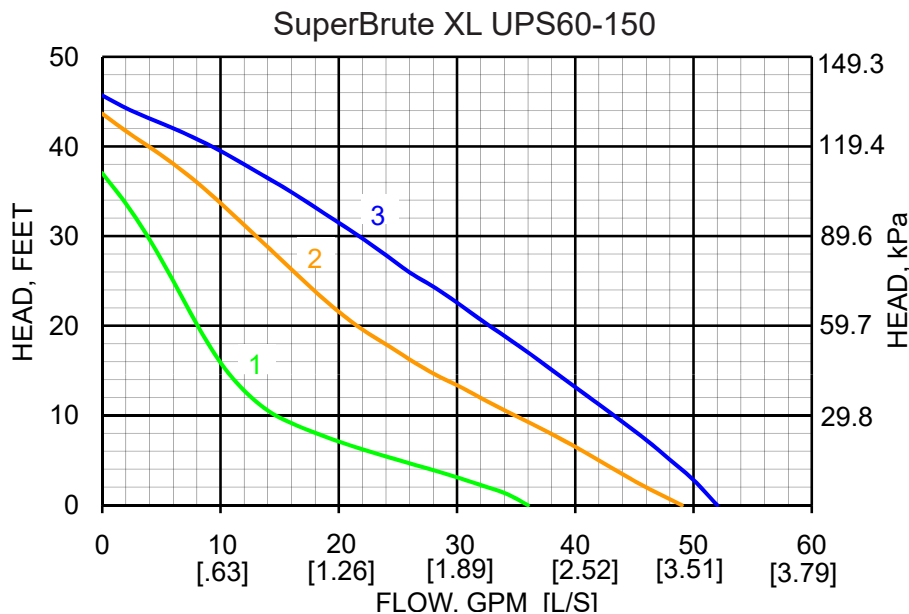
Mounting

Module can be installed in both horizontal and vertical lines.

Module must be installed with the pump's motor shaft horizontal.

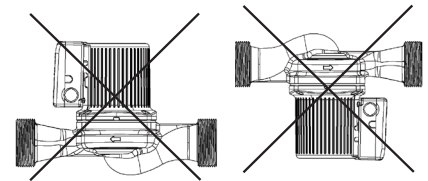
Do not install module with the pump's motor shaft vertical.

Pump Performance Curve (Single Pump- FLXL1D)

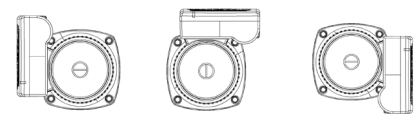


Curves are manufacturer's reported averages using water at 68° F with both pumps set on same speed.

Environol™ is a trademark of WFI International, Inc.



The terminal box should be located in one of the following orientations:

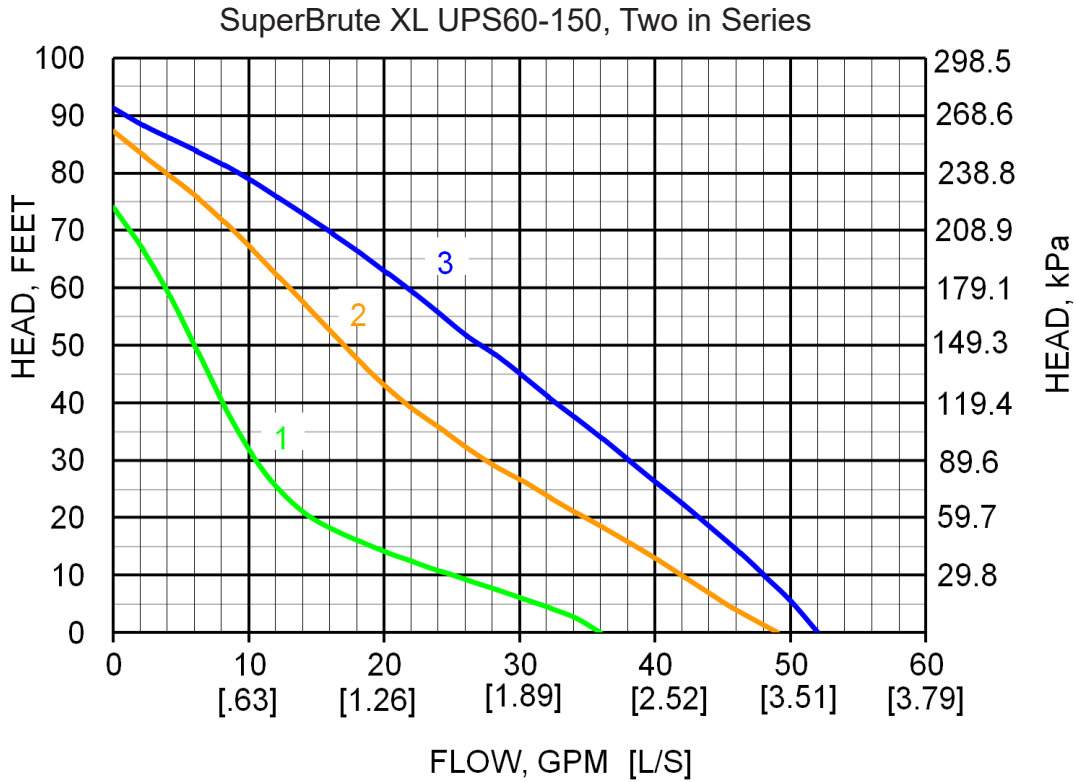


Module should be mounted indoors only.



GEO-FLO CORPORATION
905 Williams Park Drive
Bedford, IN 47421
Phone: 812-275-8513 Fax: 812-275-8523
www.geo-flo.com

Pump Performance Curve (Double Pump- Series- FLXL2D)



Curves are manufacturer's reported averages using water at 68° F with both pumps set on same speed.

Flo-Link XL™ Adapter Fittings

Flo-Link XL adapter sets (2 fittings per set) consist of brass, aluminum or HDPE fittings, brass retaining nuts, NBR o-ring seals and stainless steel retaining rings. The Flo-Link XL adapters are pushed into the female ports on the module and secured by hand-tightening the nut.



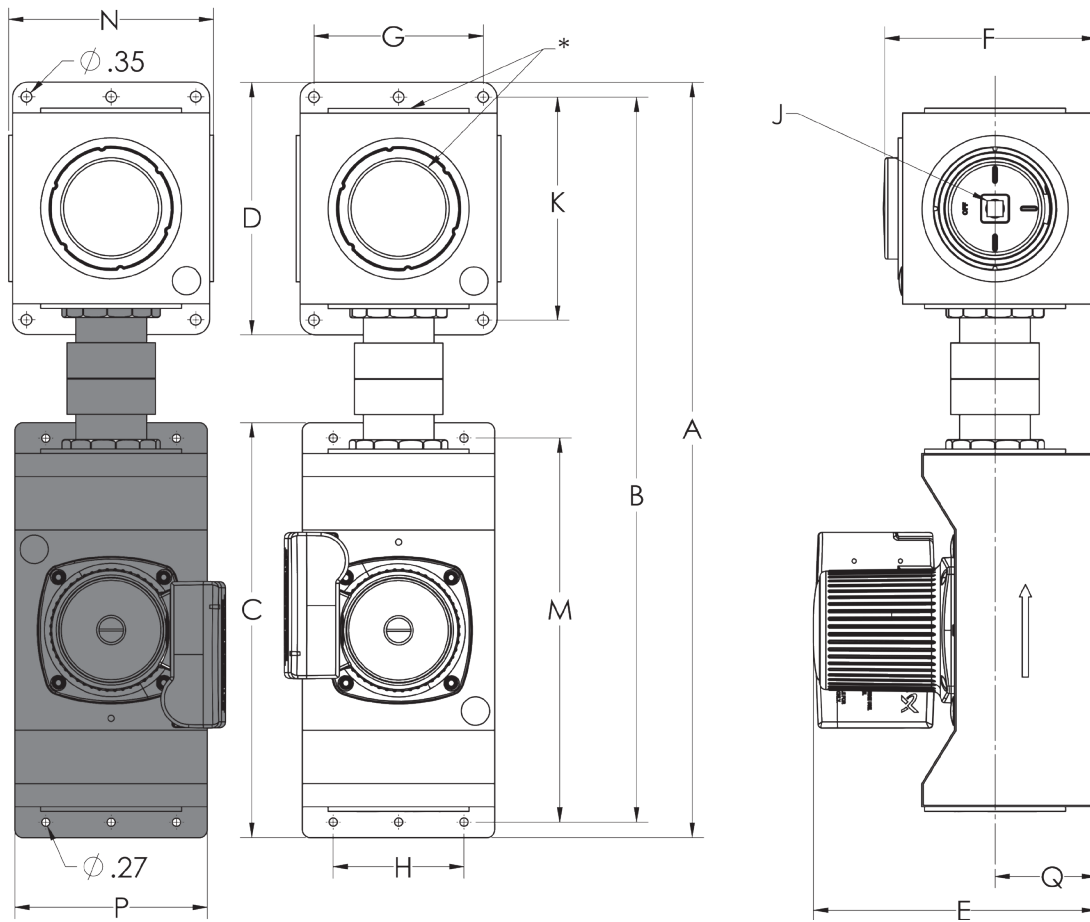
3318	2" FPT x Flo-Link XL
3380	1" Cam x Flo-Link XL
3486	1.5" Cam x Flo-Link XL
3395	2" Copper SWT x Flo-Link XL
3463	1-1/4" Socket Fusion x Flo-Link XL
3464	1-1/2" Socket Fusion x Flo-Link XL
3465	2" Socket Fusion x Flo-Link XL
3397	2" Hose Barb x Flo-Link XL
3485	Garden Hose Female x Flo-Link XL

GEO-FLO

GEO-FLO CORPORATION
 905 Williams Park Drive
 Bedford, IN 47421
 Phone: 812-275-8513 Fax: 812-275-8523
www.geo-flo.com

Note: Installation Hose kits are available.

Dimensional Data FLXL_D SuperBrute XL UPS60-150



FLXL2D pictured- FLXL1D does not include shaded components.

	A	B	C	D	E	F	G	H	J	K	M	N	P	Q	WEIGHT	
Inches	24.5	23.5	13.5	8.2	9.2	6.9	5.5	4.25	1/2" DRIVE SOCKET	7.2	12.5	6.7	6.25	3.3	LBS	KG
CM	62.23	59.69	34.29	20.83	23.4	17.53	13.97	10.8		18.3	31.75	17.02	15.9	8.4		

*Fluid connections are Flo-Link XL female and require your choice of Flo-Link XL Fittings (see page 2).



GEO-FLO CORPORATION
 905 Williams Park Drive
 Bedford, IN 47421
 Phone: 812-275-8513 Fax: 812-275-8523
 www.geo-flo.com

Note: Dimensional data provided for informational purposes. Metric data is a simple conversion of imperial data and should not be considered more accurate.