



Submittal Data

GPM-1 Flow Center - Single Pump, On Bracket



Project Name:

Contractor:

Engineer:

Order Number:

Additional Information:

Technical Data

Circulator(s): Grundfos Series UPS26-99 (3 spd) or UP26-116 (single speed)
 Cabinet: No cabinet
 Insulation: No insulation
 Valves: 1" Full-port, 3-Way, 4-Position flushing and service valve, C37700 brass body, C36000 brass spool, NBR seals, stainless steel retaining ring

Max. Fluid Temperature: 140°F [60°C]
 Min. Fluid Temperature: 20°F [-7°C]
 Max. Oper. Press.: 145 psi [1 Mpa]
 Min. Operating Press.: 1.3 psi [9 kPa]
 Max. Ambient Air Temp: 104°F [40°C]

Electrical Data

Motor: 208-230V, 60 Hz, single phase, 2-pole, UL and CSA approved, internal thermal overload protection, insulation class F

Part Number	Pump Motor	Speed	Nominal HP	Volts	Amps @ 230V*	Watts @ 230V*	Capacitor	Pump Housing (Volute)
1000	UPS26-99	High	1/6	208-230	0.9	196	5μF/400V	Cast Iron
		Medium			0.8	179		
		Low			0.7	150		
1049	UP26-116	--	1/6	208-230	1.8	385	2.5μF/380V	Cast Iron

Approved Antifreeze

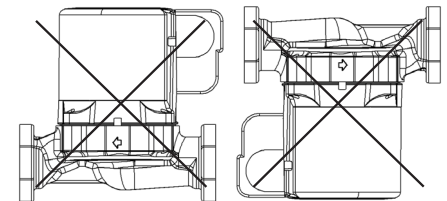
Propylene Glycol
 Ethanol
 Methanol

Mounting

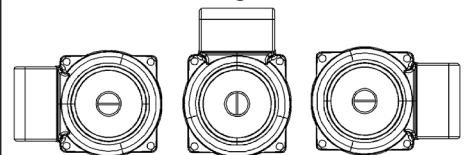
Module can be installed in both horizontal and vertical lines.

Module must be installed with the pump's motor shaft horizontal.

Do not install module with the pump's motor shaft vertical.

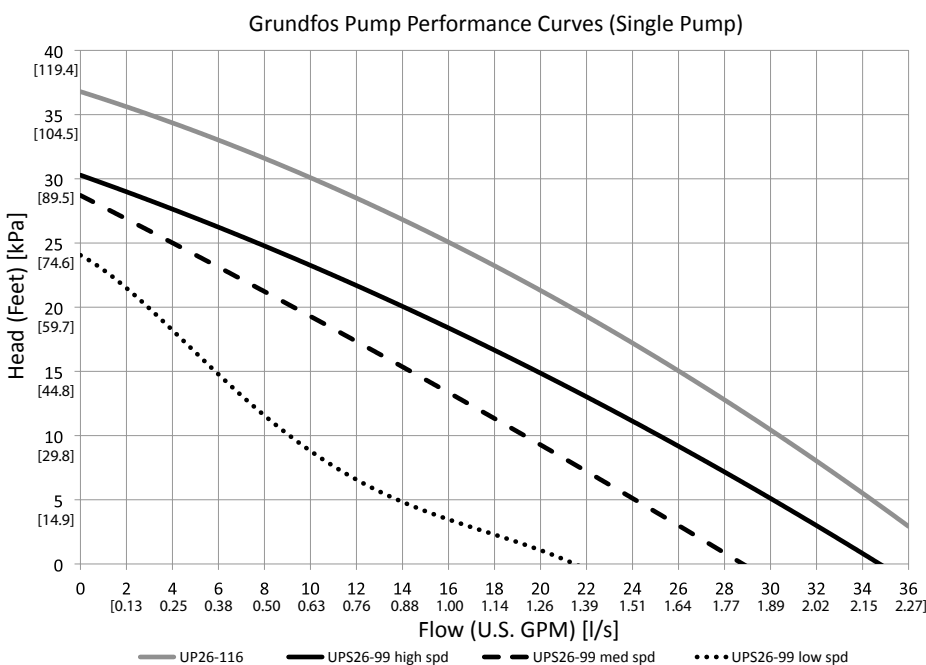


The terminal box should be located in one of the following orientations:



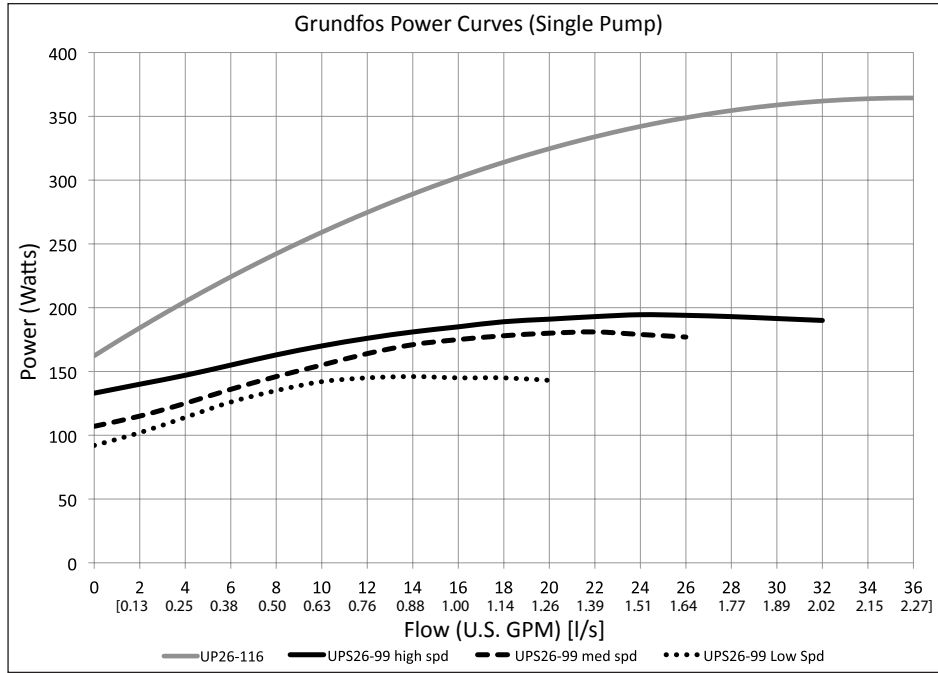
Module should be mounted indoors only.

Pump Performance Curves

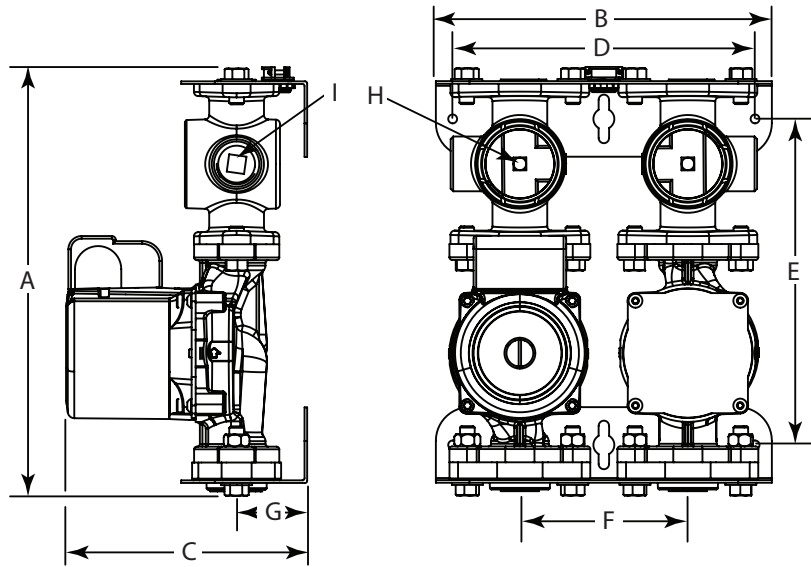


GEO-FLO PRODUCTS CORPORATION
 905 Williams Park Drive
 Bedford, IN 47421
 Phone: 812-275-8513 Fax: 812-275-8523
 www.geo-flo.com

Pump Power Curves



Dimensional Data GPM-1 Flow Center - On Bracket



	DIMENSIONS									WEIGHT
	A	B	C	D	E	F	G	H	I	LBS [KG]
INCHES	12-3/4	10	7-1/8	9	9-3/4	5	2	3/8" DRIVE	1/2" DRIVE	32.2
CM	32.4	25.4	18.1	22.9	24.8	12.7	5.1	SOCKET	SOCKET	[14.6]

Fluid connections are 1" NPT (female).

GPM-1 can be field upgraded to a GPM-2 by replacing the blank plate with a pump motor.

- Includes:
- (2) 1/4" X 2-1/2" long hex head lag screws
 - (4) #10 X 3/4" slotted hex head sheet metal screws



GEO-FLO PRODUCTS CORPORATION
 905 Williams Park Drive
 Bedford, IN 47421
 Phone: 812-275-8513 Fax: 812-275-8523
 www.geo-flo.com