



Submittal Data

GPM-1 and GPM-2 Foam Insulated Flow Centers



Project Name:	Representative:	
Contractor:	Engineer:	
Ref/P.O.#:	Date:	
Submitted by:	Date:	
Qty:	Part #:	Description

Technical Data

Circulator(s):	Grundfos Series UPS26-99 (3-speed), UP26-99, or UP26-116	Max. Fluid Temperature: 140°F [60°C]
Cabinet:	ABS plastic	Min. Fluid Temperature: 20°F [-7°C]
Insulation:	CFC-free, polyurethane foam	Max. Operating Pressure: 145 psi [1 MPa]
Valves:	1" Full-port, 3-Way, 4-Position flushing and service valve, C37700 brass body, C36000 brass spool, NBR seals, stainless steel retaining ring	Min. Operating Pressure: 1.3 psi [9 kPa]
		Max. Ambient Air Temp: 104°F [40°C]

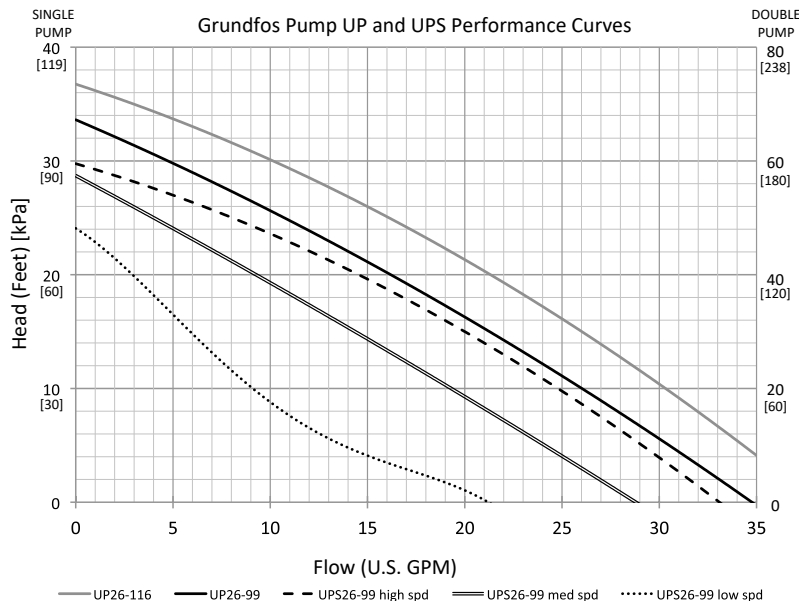
Electrical Data

UPS26-99 motor: 208-230V or 115V 60 Hz, single phase, 2-pole UL and CSA approved, internal thermal overload protection, insulation class F, three speed
 UP26-116 motor: 208-230V, 60 Hz, single phase, 2-pole UL and CSA approved, internal thermal overload protection, insulation class F, single speed
 UP26-99 motor: 208-230V or 115V, 60 Hz, single phase, 2-pole UL and CSA approved, internal thermal overload protection, insulation class F, single speed

Single Pump	Double Pump	Pump Motor	Speed	Nom. HP	Volts	Amps*	Watts*	Capacitor	Pump Housing (Volute)
1027	1028	UPS26-99 1x230V	High	1/6	208-230	0.9	196	5 µF400V	Cast Iron***
			Medium			0.8	179		
			Low			0.7	150		
1033	1031	UPS26-99 1x115V	High**	1/6	115	1.8	197	20µF/180V	Cast Iron***
1055	1056	UP26-116 1x230V	--		208-230	1.8	385	2.5 µF/380V	
FP1B	FP2B	UP26-99 1x 230V	--		208-230	1.8	197	20µF/180V	

* Data is maximum per pump. Amps and Watts are at 230V for dual rated (208-230V) pumps.
 ** On med. spd., 115V pump is 1.5 A / 179W; on low spd., 115V pump is 1.3A / 150W.
 *** Stainless steel volute is available with UP26-116 pumps. Change part # 1055 to 1077; change part # 1056 to 1076.

Pump Performance Curves



Curves are manufacturer's reported averages using water at 68° F.

Approved Antifreeze

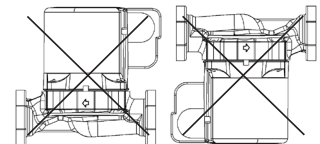
Ethanol
 Methanol
 Propylene Glycol

Mounting

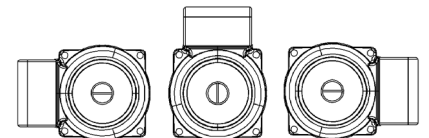
Flow Center can be installed in both horizontal and vertical lines.

Flow Center must be installed with the pump's motor shaft horizontal.

Do not install Flow Center with the pump's motor shaft vertical.



The terminal box should be located in one of the following orientations:

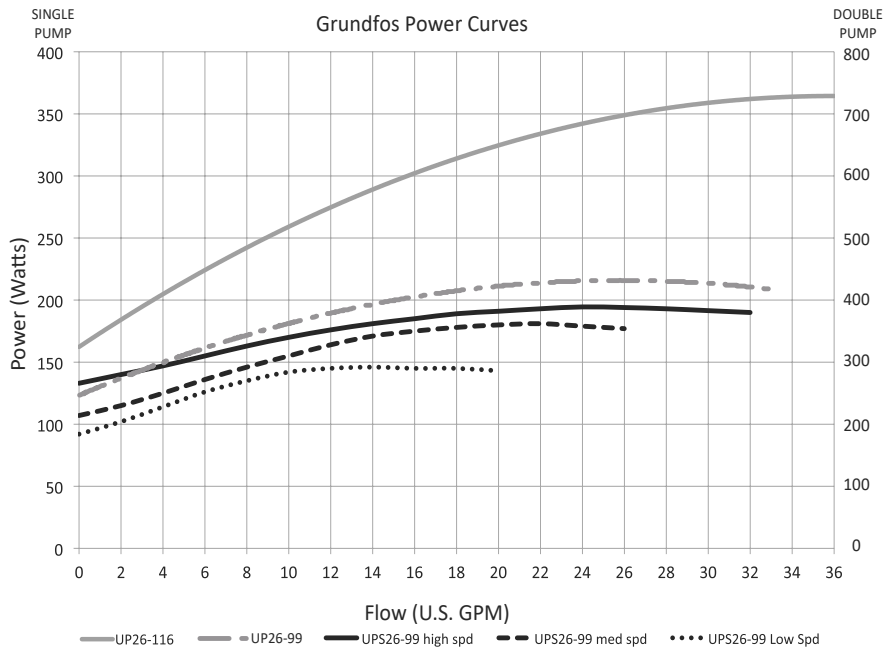


Flow Center should be mounted indoors only.



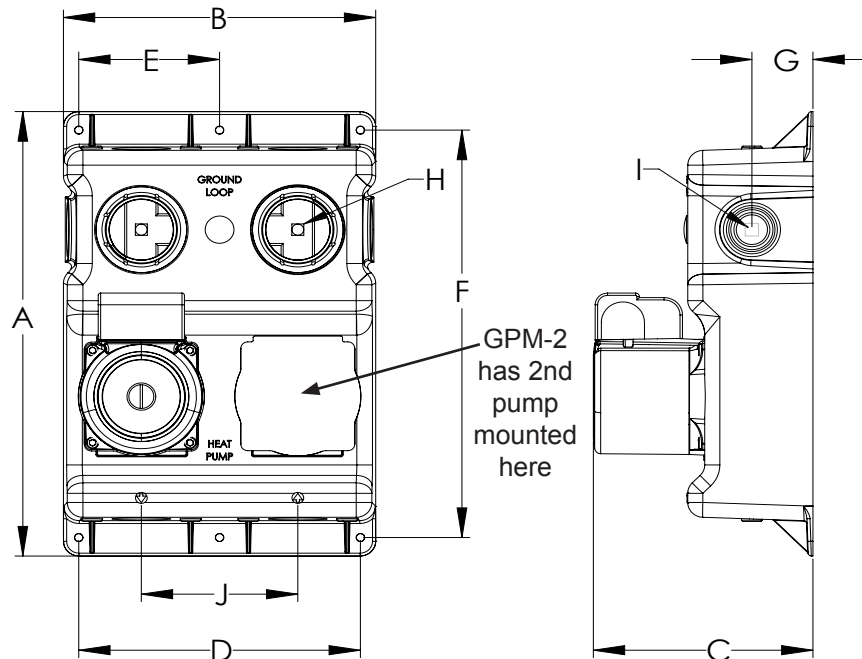
GEO-FLO CORPORATION
 905 Williams Park Drive
 Bedford, IN 47421
 Phone: 812-275-8513 Fax: 812-275-8523
 www.geo-flo.com

Pump Power Curves



Curves are manufacturer's reported averages using water at 68° F.

Dimensional Data



	A	B	C	D	E	F	G	H	I	J	WEIGHT - CAST IRON*	
Inches	15	10	7	9	4-1/2	13-3/4	2	3/8" DRIVE SOCKET	1/2" DRIVE SOCKET	5	LBS	KG
CM**	38.1	25.4	17.8	22.9	11.4	34.9	5.1			12.7	Single: 32.4	Single: 14.7
											Double: 37.8	Double: 17.2

Fluid connections are 1" NPT (female).

Single pump modules can be field upgraded to a double pump module by replacing the blank plate with a second pump motor. Double pump modules can be changed to single pump by removing the second pump, and installing a blank plate (PN 3479).

Includes: (2) 1/4" X 2-1/2" long hex head lag screws
 (4) #10 X 3/4" slotted hex head sheet metal screws

*For stainless steel volutes, add 1.6 lbs [0.7 kg].

**Dimensional data provided for information purposes, and is rounded to the nearest 1/16".

Metric data is a simple conversion of imperial data, and should not be considered more accurate.



GEO-FLO CORPORATION
 905 Williams Park Drive
 Bedford, IN 47421
 Phone: 812-275-8513 Fax: 812-275-8523
 www.geo-flo.com