



Submittal Data

GPM-1 & GPM-2 On Bracket Flow Centers -- Stainless Volute



Project Name:

Contractor:

Engineer:

Order Number:

Additional Information:

Technical Data

Circulator(s): Grundfos Series UP26-116, single speed, stainless steel volutes
 Cabinet: N/A (pumps/3-Way valves mounted on bracket)
 Insulation: Not Applicable
 Valves: 1" Full-port, 3-Way, 4-Position flushing and service valve, C37700 brass body, C36000 brass spool, NBR seals, stainless steel retaining ring

Max. Fluid Temperature: 140°F [60°C]
 Min. Fluid Temperature: 20°F [-7°C]
 Max. Operating Pressure: 145 psi [1 MPa]
 Min. Operating Pressure: 1.3 psi [9 kPa]
 Max. Ambient Air Temp: 104°F [40°C]

Electrical Data

Motor: 208-230V, 60 Hz, single phase, 2-pole, UL and CSA approved, internal thermal overload protection, insulation class F

Pump Motor	Speed	Nominal HP	Volts	Amps @ 230V*	Watts @ 230V*	Capacitor	Pump Housing (Volute)
UP26-116	--	1/6	208-230	1.8	385	2.5µF/380V	Stainless

*Data is maximum per pump at 230V.

Approved Antifreeze

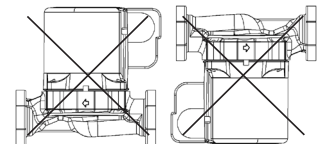
Propylene Glycol
 Ethanol
 Methanol

Mounting

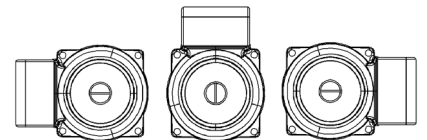
Module can be installed in both horizontal and vertical lines.

Module must be installed with the pump's motor shaft horizontal.

Do not install module with the pump's motor shaft vertical.



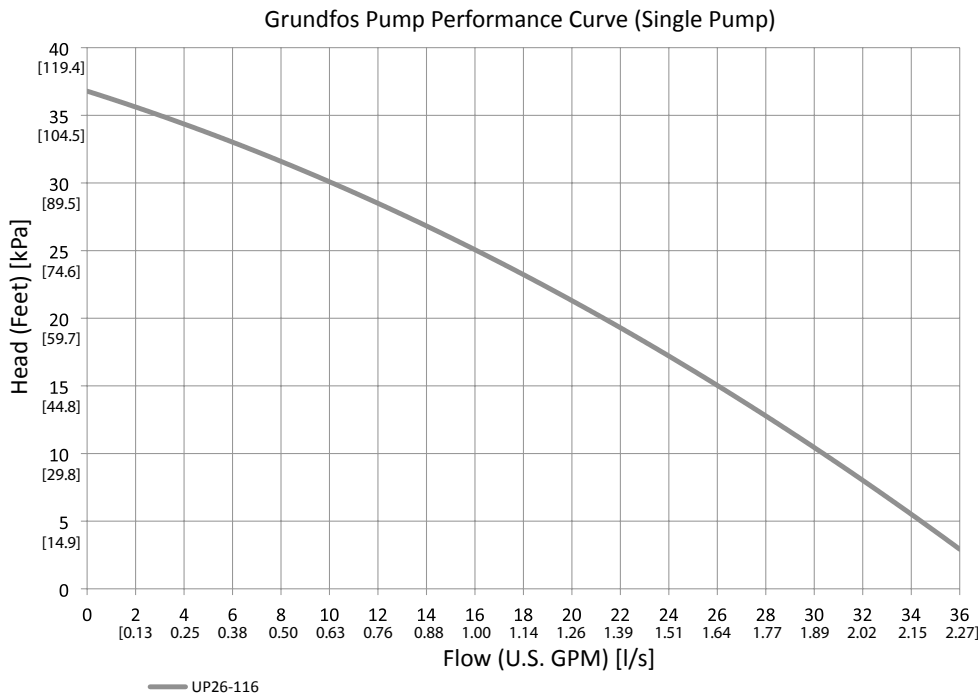
The terminal box should be located in one of the following orientations:



Module should be mounted indoors only.

Pump Performance Curve: UP26-116

Performance curve is for a single pump (GPM-1). For the performance of two pumps (GPM-2), double the head on the vertical Y axis.

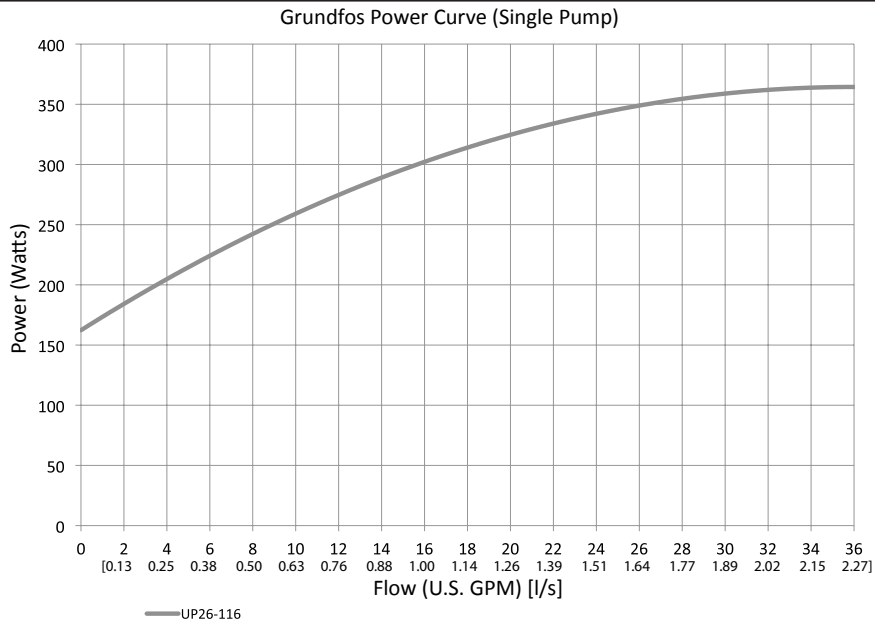


Curves are manufacturer's reported averages using water at 68° F.

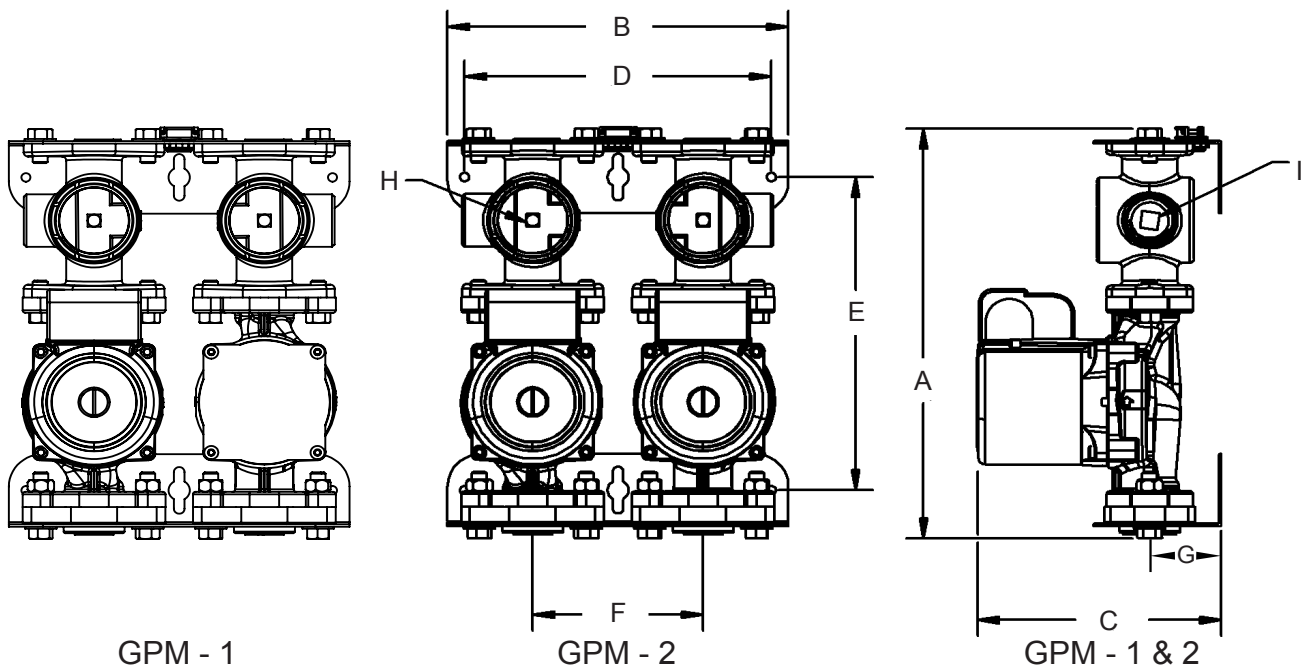


GEO-FLO PRODUCTS CORPORATION
 905 Williams Park Drive
 Bedford, IN 47421
 Phone: 812-275-8513 Fax: 812-275-8523
 www.geo-flo.com

Pump Power Curve



Dimensional Data: GPM-1 & GPM-2 On Bracket Flow Centers



	A	B	C	D	E	F	G	H	I	WEIGHT		
										PUMPS	LBS	KG
Inches	12 3/4	10	7 1/8	9	9 3/4	5	2	3/8" DRIVE SOCKET	1/2" DRIVE SOCKET	SINGLE	32.2	14.6
CM	32.4	25.4	18.1	22.9	24.8	12.7	5.1			DOUBLE	37.8	17.1

Fluid connections are 1" NPT (female).

GPM-1 can be field upgraded to a GPM-2 by replacing the blank plate with a pump motor.

Includes: (2) 1/4" X 2-1/2" long hex head lag screws
(4) #10 X 3/4" slotted hex head sheet metal screws



GEO-FLO PRODUCTS CORPORATION
905 Williams Park Drive
Bedford, IN 47421
Phone: 812-275-8513 Fax: 812-275-8523
www.geo-flo.com