



Submittal Data

FL Series Pressurized Flow Center, Single Pump



Project Name:	Representative:	
Contractor:	Engineer:	
Ref/P.O. #:	Date:	
Submitted by:	Date:	
Qty:	Part #:	Description:

Technical Data

Circulator:	Grundfos UPS26-99 (3 speed) or UP26-116 (single speed)
Cabinet:	High Impact Polystyrene plastic
Insulation:	CFC-free, polyurethane foam
Valves:	1" Full-port, 3-Way, 4-Position flushing and isolation/service valve, Brass body and spool, NBR seals, stainless steel retaining ring.

Max. Fluid Temperature: 140°F [60°C]
Min. Fluid Temperature: 20°F [-7°C]
Max. Oper. Press.: 145 psi [1 Mpa]
Min. Operating Press.: 1.3 psi [9 kPa]
Max. Ambient Air Temp: 104°F [40°C]

Electrical Data

Motor: 208-230V, 60 Hz, single phase, 2-pole, UL and CSA approved, internal thermal overload protection, insulation class F

Part Number	Pump Motor	Speed	Nominal HP	Volts	Amps @ 230V*	Watts @ 230V*	Capacitor	Pump Housing (Volute)
1294	UPS26-99	High	1/6	208-230	0.9	196	5µF/400V	Cast Iron
		Medium			0.8	179		
		Low			0.7	150		
1296	UP26-116	--	1/6	208-230	1.8	385	2.5µF/380V	Cast Iron

*Data is maximum per pump.

Approved Antifreeze

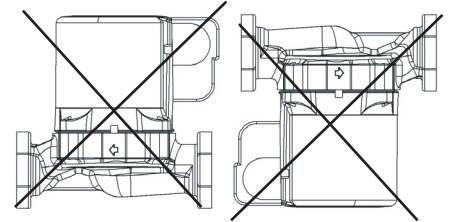
Propylene Glycol
Ethanol
Methanol

Mounting

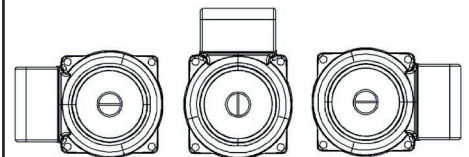
Flow Center is designed for indoor installation only.

Flow Center must be installed with the pump's motor shaft horizontal.

Do not install flow center with the pump's motor shaft vertical.

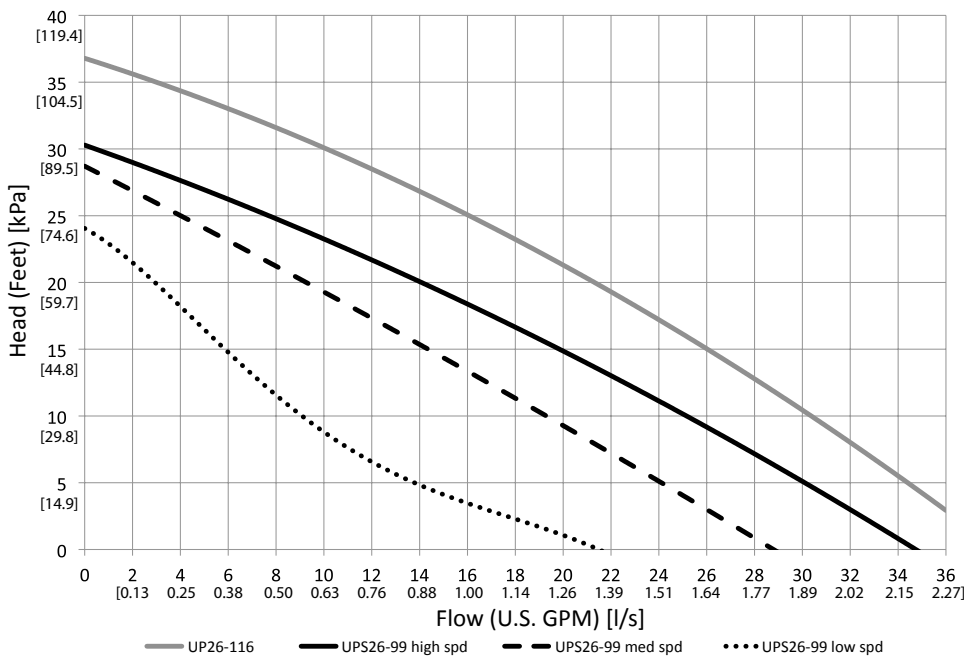


The terminal box should be located in one of the following orientations:



Pump Performance Curves

Grundfos Pump Performance Curves (Single Pump)



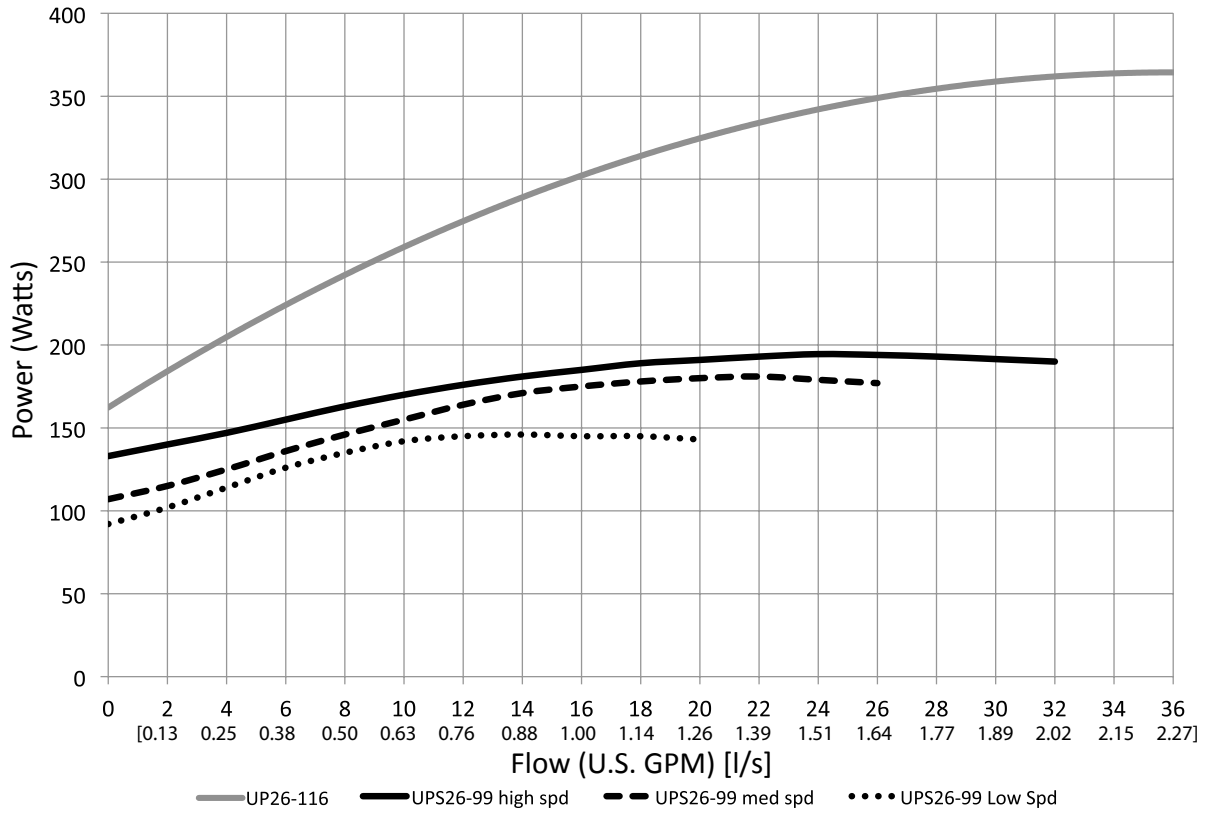
Curves are manufacturer's reported averages using water at 68°F [20°C].



GEO-FLO CORPORATION
905 Williams Park Drive
Bedford, IN 47421
Phone: 812-275-8513 Fax: 812-275-8523
www.geo-flo.com

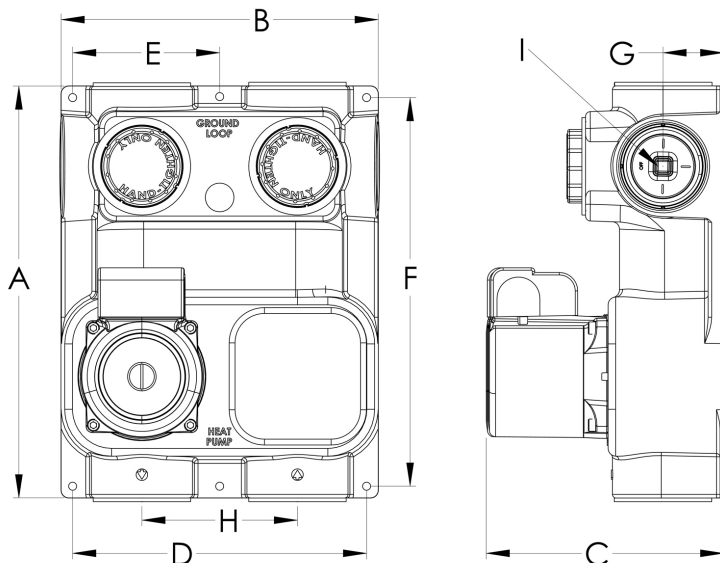
Pump Power Curves

Grundfos Power Curves (Single Pump)



Dimensional Data

	A	B	C	D	E	F	G	H	I	WEIGHT	
Inches	13-1/4	10-3/16	7-5/8	9-7/16	4-3/4	12-1/2	2	5	3/8" DRIVE SOCKET	LBS	KG
CM	33.6	25.9	19.4	24.0	12.0	31.7	5.0	12.7		22	10



Fluid connections are Flo-Link™ double O-ring style. Transition fittings are not included with the flow center packaging. Typically, PE fusion x Flo-Link is used on the ground loop connections. A Geo-Flo hose kit designed for Flo-Link connections includes transition fittings for heat pump connections.

Flow center may be field upgraded to a two pump flow center by removing the blank plate, and adding a second pump.



GEO-FLO CORPORATION
 905 Williams Park Drive
 Bedford, IN 47421
 Phone: 812-275-8513 Fax: 812-275-8523
 www.geo-flo.com

NOTES:

1. Dimensional data provided for informational purposes and is rounded to nearest 1/16".
2. Metric data is a simple conversion of imperial data and should not be considered more accurate.