



## Submittal Data

FL Series Pressurized Flow Center, Double Pump



Project Name:

Contractor:

Engineer:

Order Number:

Additional Information:

## Technical Data

Circulators: Grundfos UPS26-99 (3 speed) or UP26-116 (single speed)  
 Cabinet: High Impact Polystyrene plastic  
 Insulation: CFC-free, polyurethane foam  
 Valves: 1" Full-port, 3-Way, 4-Position flushing and isolation/service valve, Brass body and spool, NBR seals, stainless steel retaining ring.

Max. Fluid Temperature: 140°F [60°C]  
 Min. Fluid Temperature: 20°F [-7°C]  
 Max. Oper. Press.: 145 psi [1 Mpa]  
 Min. Operating Press.: 1.3 psi [9 kPa]  
 Max. Ambient Air Temp: 104°F [40°C]

## Electrical Data

Motor: 208-230V, 60 Hz, single phase, 2-pole, UL and CSA approved, internal thermal overload protection, insulation class F

Part Number	Pump Motor	Speed	Nominal HP	Volts	Amps @ 230V*	Watts @ 230V*	Capacitor	Pump Housing (Volute)
1295	UPS26-99 (2 in series)	High	1/6	208-230	0.9	196	5µF/400V	Cast Iron
		Medium			0.8	179		
		Low			0.7	150		
1297	UP26-116 (2 in series)	--	1/6	208-230	1.8	385	2.5µF/380V	Cast Iron

\*Data is maximum per pump.

## Approved Antifreeze

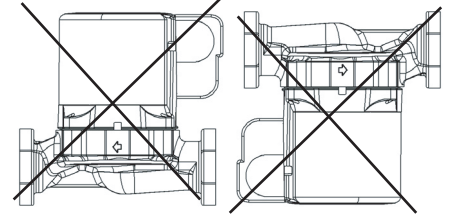
Propylene Glycol  
 Ethanol  
 Methanol

## Mounting

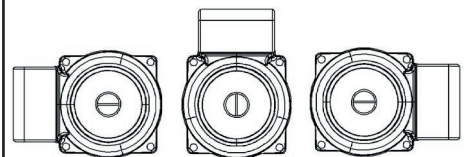
**Flow Center is designed for indoor installation only.**

Flow Center must be installed with the pump's motor shaft horizontal.

Do not install flow center with the pump's motor shaft vertical.

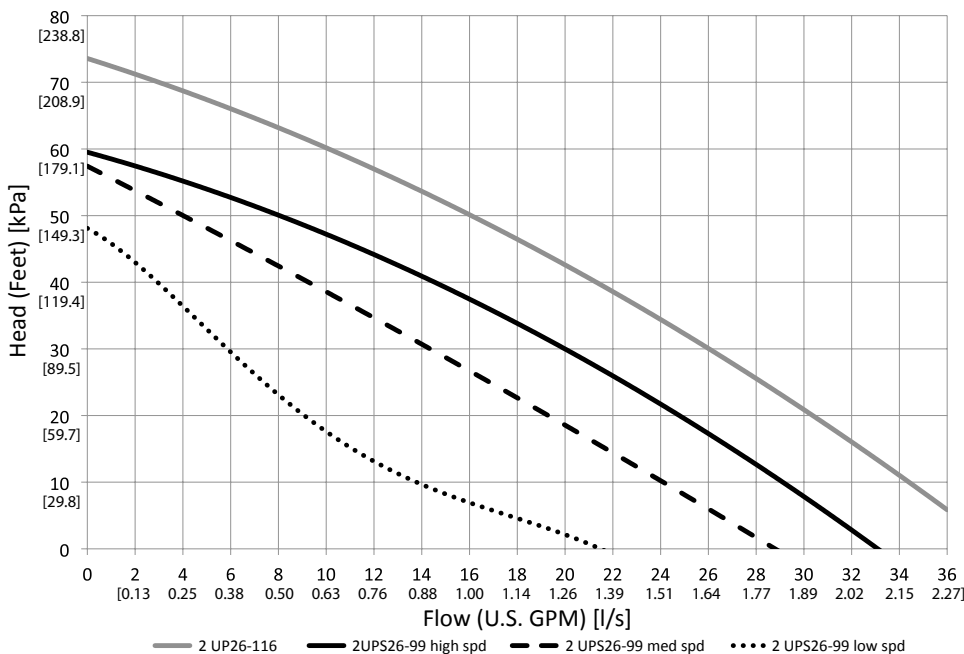


The terminal box should be located in one of the following orientations:



## Pump Performance Curves

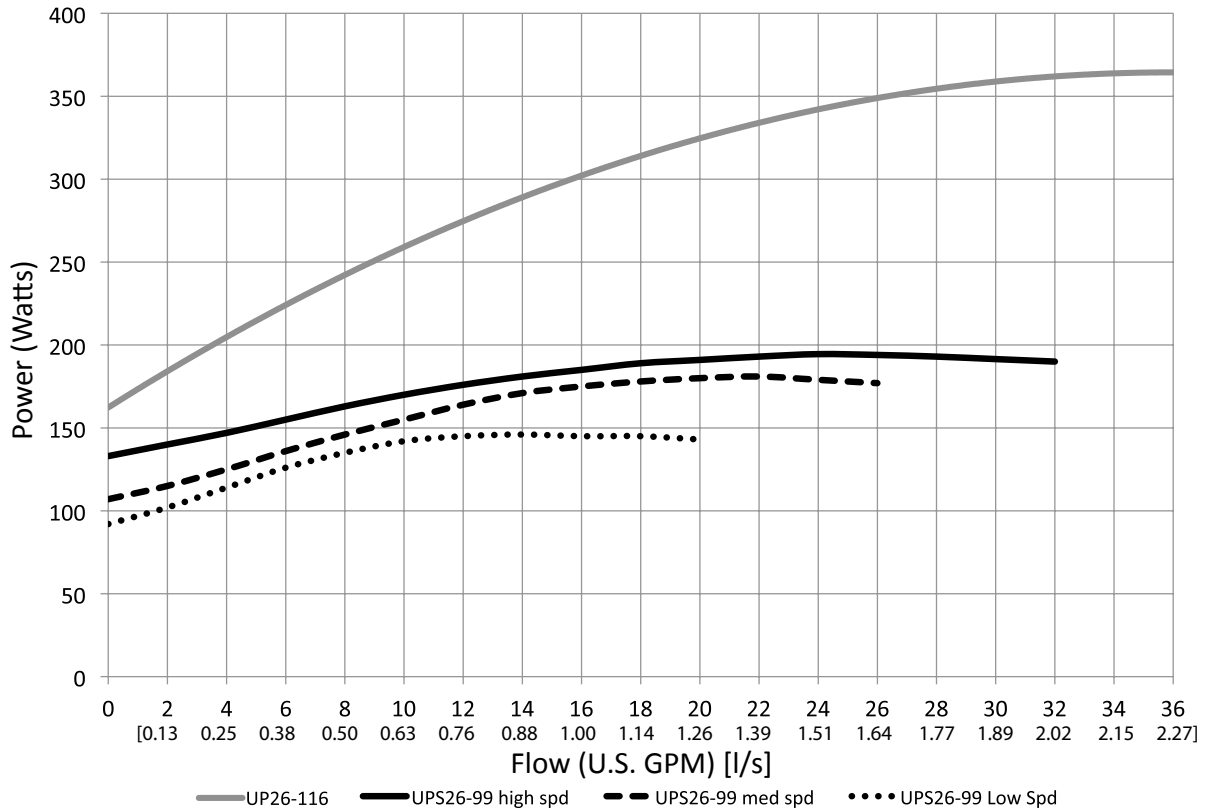
Grundfos Pump Performance Curves (Two Pumps)



GEO-FLO CORPORATION  
 905 Williams Park Drive  
 Bedford, IN 47421  
 Phone: 812-275-8513 Fax: 812-275-8523  
 www.geo-flo.com

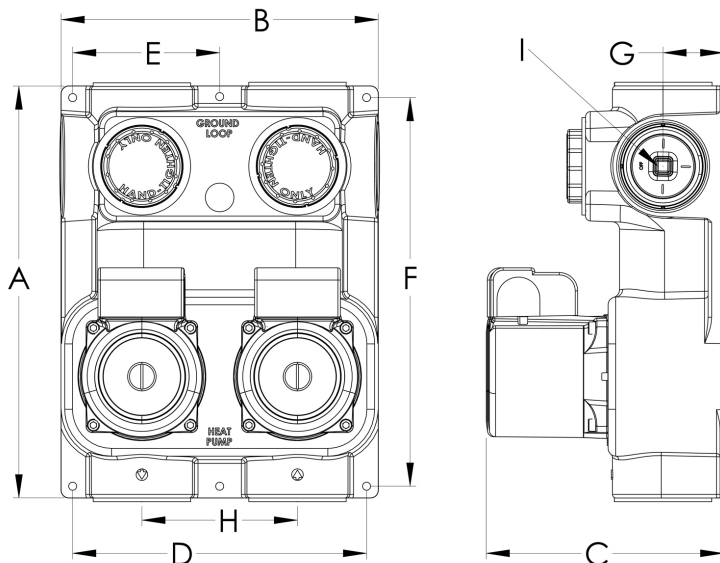
# Pump Power Curves

Grundfos Power Curves (per pump)



# Dimensional Data

	A	B	C	D	E	F	G	H	I	WEIGHT	
Inches	13-1/4	10-3/16	7-5/8	9-7/16	4-3/4	12-1/2	2	5	3/8" DRIVE SOCKET	LBS	KG
CM	33.6	25.9	19.4	24.0	12.0	31.7	5.0	12.7		30	13.6



Fluid connections are Flo-Link™ double O-ring style. Flow centers come with Flo-Link x 1-1/4" HDPE adapters (PN 2911). Typically, PE fusion x Flo-Link is used on the ground loop connections. A Geo-Flo hose kit designed for Flo-Link connections includes transition fittings for heat pump connections.

Flow center may be field modified to a one pump flow center by replacing the second pump with a blank plate kit.



GEO-FLO CORPORATION  
 905 Williams Park Drive  
 Bedford, IN 47421  
 Phone: 812-275-8513 Fax: 812-275-8523  
 www.geo-flo.com

NOTES:

1. Dimensional data provided for informational purposes and is rounded to nearest 1/16".
2. Metric data is a simple conversion of imperial data and should not be considered more accurate.