



Submittal Data
 Grundfos SuperBrute XL
 UPS60-150, 1 X 208-230 V, 60 Hz wet rotor circulator



Project Name: _____

Contractor: _____

Engineer: _____

Order Number: _____

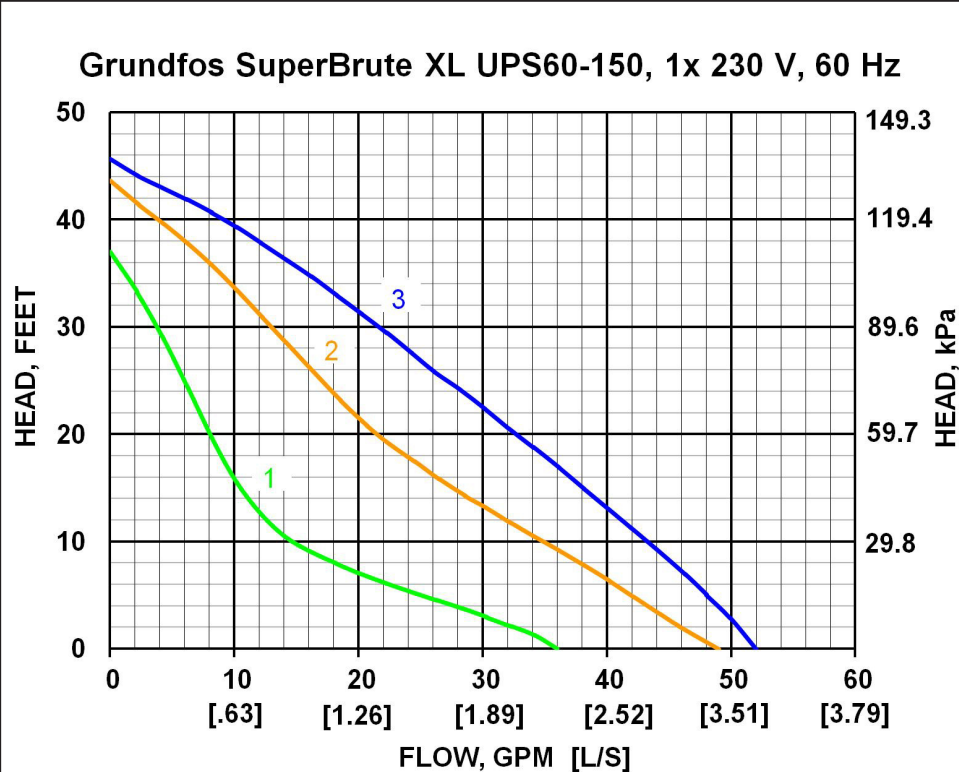
Additional Information: _____

Technical / Electrical Data

Motor:	208-230 Volt, 60 Hz, single phase, 2-pole, internal thermal overload protection, insulation class H	Max. Fluid Temperature: 194° F Min. Fluid Temperature: 15° F Max. Operating Pressure: 145 psig Min. Operating Pressure: 3 psig Ambient Air Temp: 33° to 100° F Max water hardness: 14dH
Capacitor:	10 µF/400 V	
Approvals on nameplate:	ELT listed (tested according to UL and CSA standards)	
Material, Pump Housing:	Cast iron	
Material, Impeller:	Composite, PES	

Part Number	Model	Max HP (Speed 3)	Speed	RPM	MAX Amps	MAX Watts
9418	UPS60-150, 1 X 230 V	1/6	3	3400	1.9	377
			2	3300	1.6	340
			1	3100	1.3	267

Pump Performance Curve



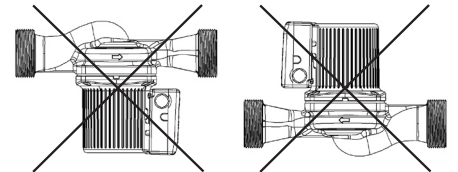
Curves are manufacturer's reported averages using water at 68° F.

Mounting

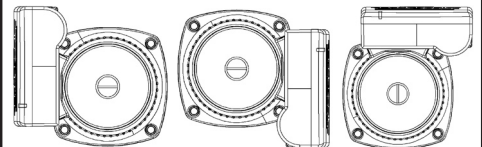
Pump can be installed in both horizontal and vertical lines.

Pump must be installed with the motor shaft horizontal.

Do not install the pump's motor shaft vertical.



The terminal box should be located in one of the following orientations:

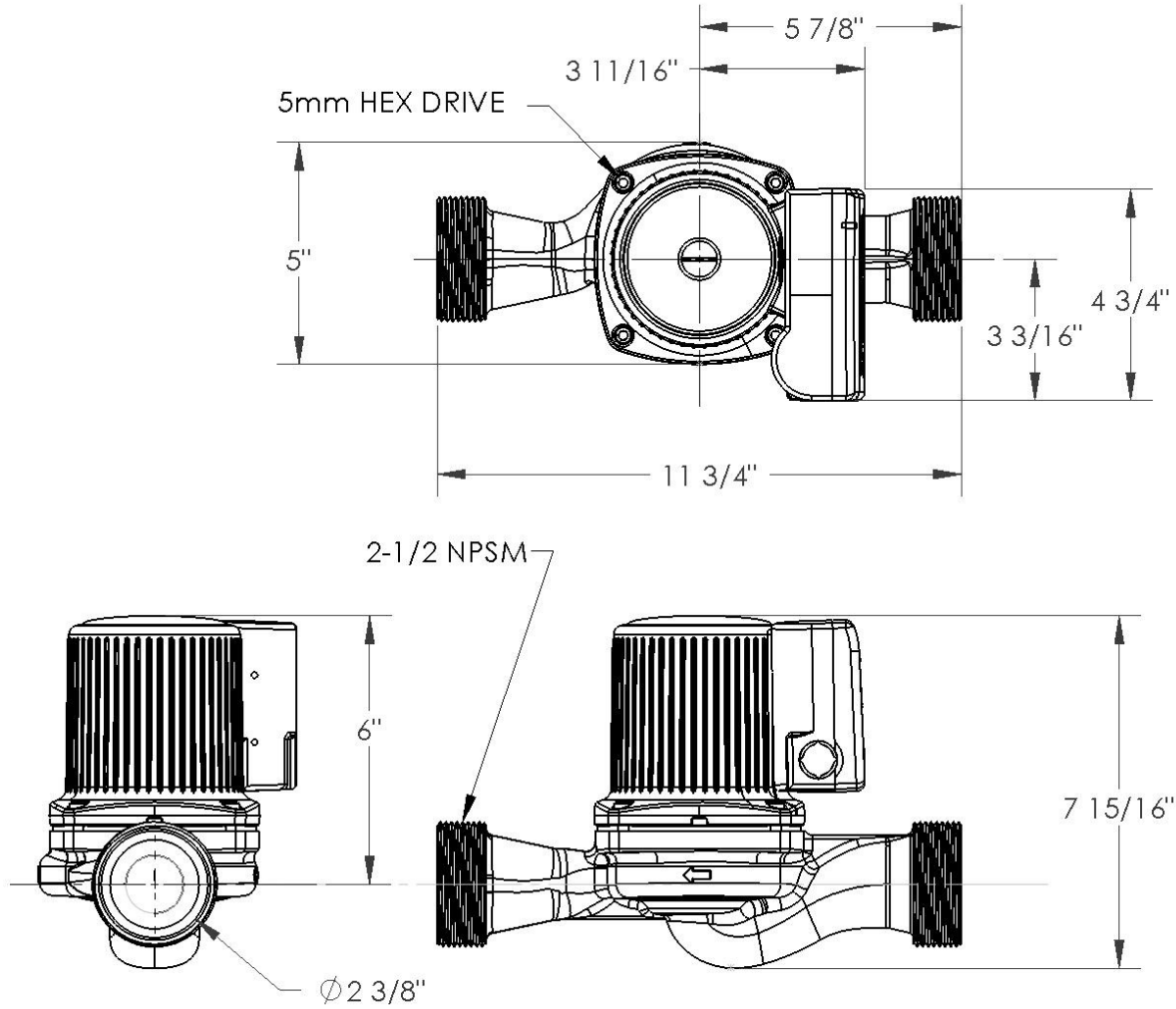


Pump should be mounted indoors only.



GEO-FLO PRODUCTS CORPORATION
 905 Williams Park Drive
 Bedford, IN 47421
 Phone: 812-275-8513 Fax: 812-275-8523
 www.geo-flo.com

Dimensional Data SuperBrute XL UPS60-150



Geo-Flo union style pump housing requires double o-ring stab fittings (Flo-Link XL series).

GEO-FLO

GEO-FLO PRODUCTS CORPORATION
905 Williams Park Drive
Bedford, IN 47421
Phone: 812-275-8513 Fax: 812-275-8523
www.geo-flo.com