



Submittal Data

FL1/2L Variable Speed Pressurized Flow Center, single/double pump



Project Name:	Representative:	
Contractor:	Engineer:	
Ref/P.O. #:	Date:	
Submitted by:	Date:	
Qty:	Part #:	Description:

Technical Data

Circulator:	Grundfos UPMXL 25-124 variable speed, cast iron volute
Cabinet:	High Impact Polystyrene plastic
Insulation:	CFC-free, polyurethane foam
Valves:	1" Full-port, 3-Way, 4-Position flushing and isolation/service valve, Brass body and spool, NBR seals, stainless steel retaining ring.

Max. Fluid Temperature: 140°F [60°C]
Min. Fluid Temperature: 20°F [-7°C]
Max. Oper. Press.: 145 psi [1 Mpa]
Min. Operating Press.: 1.3 psi [9 kPa]
Max. Ambient Air Temp: 104°F [40°C]

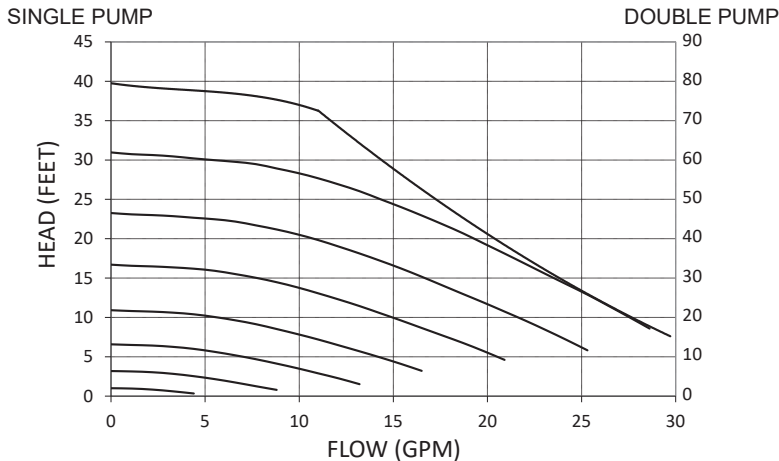
Electrical Data

Motor: ECM, 208-230V, 50/60 Hz, single phase, 2-pole, ETL_{C/US} approved (meets UL and CSA requirements), electronically protected, insulation class F, 0.04 to 1.5 Amps, variable speed, PWM controlled via external signal

Approved Antifreeze

Propylene Glycol
Ethanol
Methanol

Pump Performance Curves¹

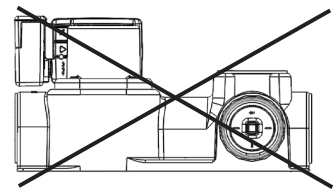


Mounting

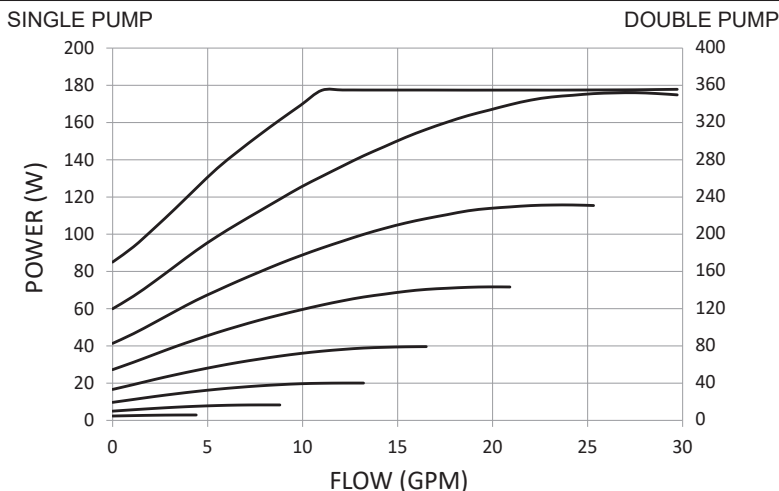
Flow Center is designed for indoor installation only.

Flow Center must be installed with the pump's motor shaft horizontal.

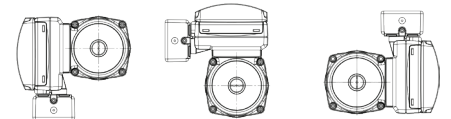
Do not install flow center with the pump's motor shaft vertical.



Pump Power Curves¹



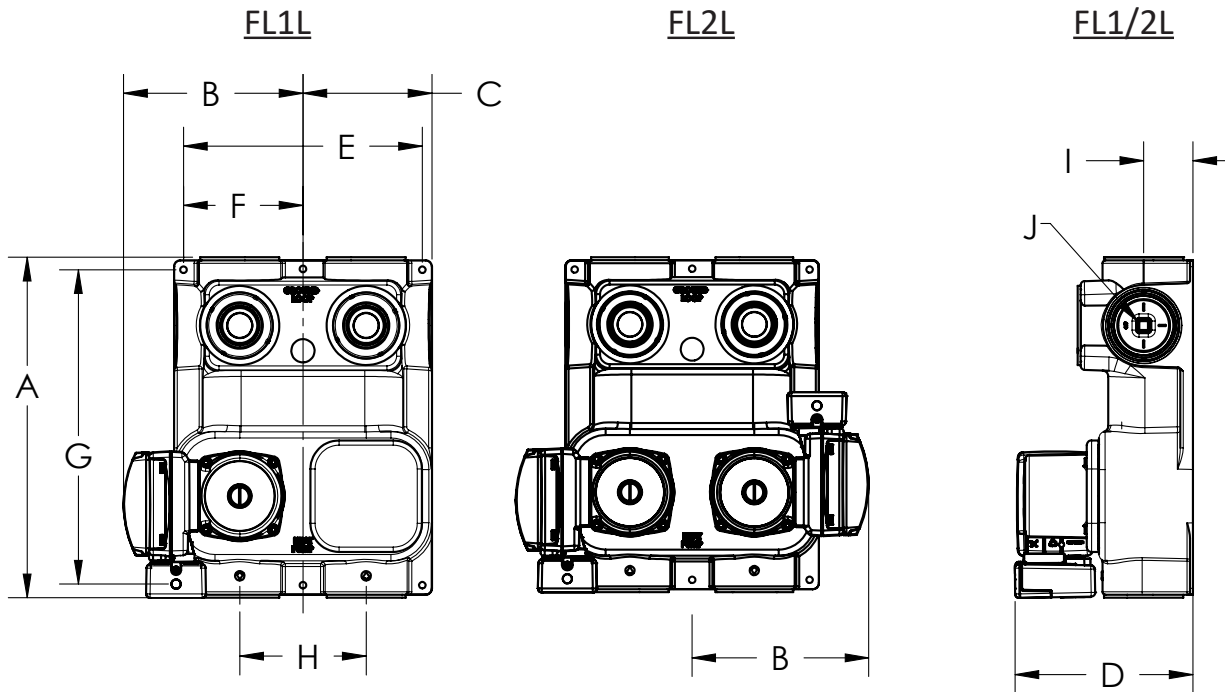
The pump terminal box should be located in one of the following orientations:



GEO-FLO CORPORATION
905 Williams Park Drive
Bedford, IN 47421
Phone: 812-275-8513 Fax: 812-275-8523
www.geo-flo.com

Curves are manufacturer's reported averages using water at 68°F [20°C].

Dimensional Data²



	A	B	C	D	E	F	G	H	I	J	WEIGHT (LBS)	
Inches	13-7/16	7-1/16	5-1/8	7-1/16	9-7/16	4-3/4	12-7/16	5	1-15/16	3/8" DRIVE SOCKET	FL1L	FL2L
CM	34.2	18.0	13.0	24.0	24.0	12.0	31.6	12.7	5.0		25	31

Fluid connections are Flo-Link™ double O-ring style. One set of transition fittings for the ground loop (1-1/4" HDPE socket fusion) are included with the flow center. A Geo-Flo hose kit designed for Flo-Link connections is recommended (not included) for the heap pump connections.

NOTES:

1. Pump operates in between maximum and minimum curves. Intermediate curves are provided for reference.
2. Dimensional data provided for informational purposes and is rounded to nearest 1/16". Metric data is a simple conversion of imperial data and should not be considered more accurate.

GEO-FLO

GEO-FLO CORPORATION
 905 Williams Park Drive
 Bedford, IN 47421
 Phone: 812-275-8513 Fax: 812-275-8523
www.geo-flo.com