



Submittal Data

VersaFlo® UPS40-160 Single/Double Pump Module



Project Name:	Representative:	
Contractor:	Engineer:	
Ref/P.O.#:	Date:	
Submitted by:	Date:	
Qty:	Part #:	Description

Technical Data

Circulator(s):	Grundfos Series UPS40-160, 3-Speed, cast iron pump volute	Max. Fluid Temperature: 140° F
Cabinet:	Powder-coated steel	Min. Fluid Temperature: 20° F
Insulation:	CFC-free, polyurethane foam	Max. Operating Pressure: 145 psi
Valves:	2" Full-port, 3-Way, 4-Position flushing and service valve, Forged Brass, C37700, NBR seals	Min. Operating Pressure: 5.1 psi
		Ambient Air Temp: 32° to 104° F

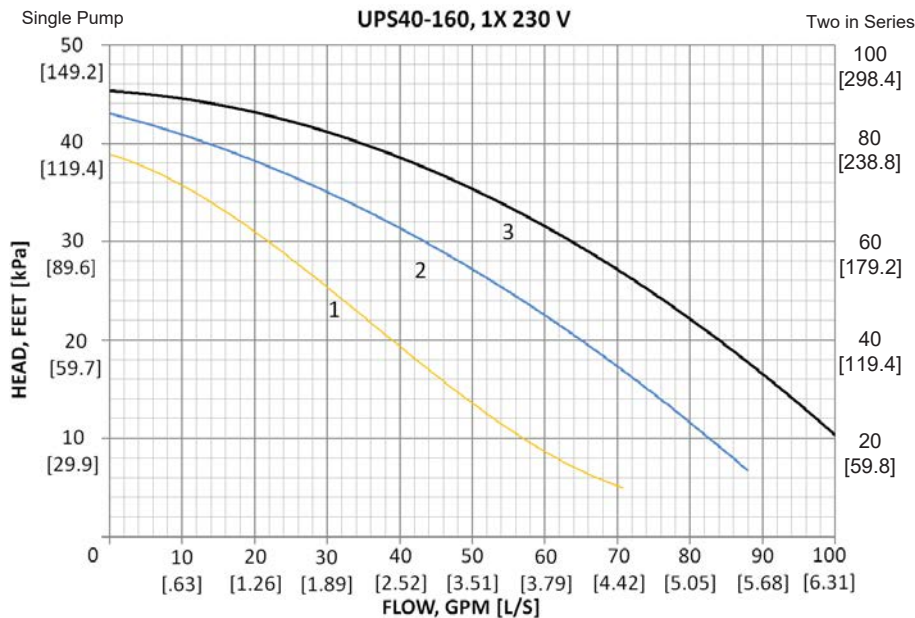
Electrical Data

Motor: 230 Volt, 60 Hz, single phase, 2-pole, UL listed, internal thermal overload protection, insulation class H

Capacitor: 16 µF/400 V

Model	Max HP (Speed 3)	Speed	RPM	Amps	Watts	Starting Amps
UPS40-160, 1 X 230 V	3/4	3	3463	4.20	890	9.30
		2	3202	3.75	760	8.30
		1	3055	3.45	690	7.64

Pump Performance Curve



Curves are manufacturer's reported averages using water at 68° F.

VersaFlo® is a registered trademark of Grundfos Pumps Corporation.
 Environol™ is a trademark of WFI International, Inc.

Approved Antifreeze

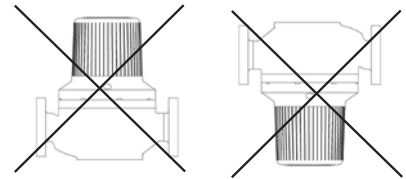
Ethanol
 Methanol
 Propylene Glycol
 Environol™

Mounting

Module can be installed in both horizontal and vertical lines.

Module must be installed with the pump's motor shaft horizontal.

Do not install module with the pump's motor shaft vertical.



The terminal box should NOT be located in one of the following orientations:

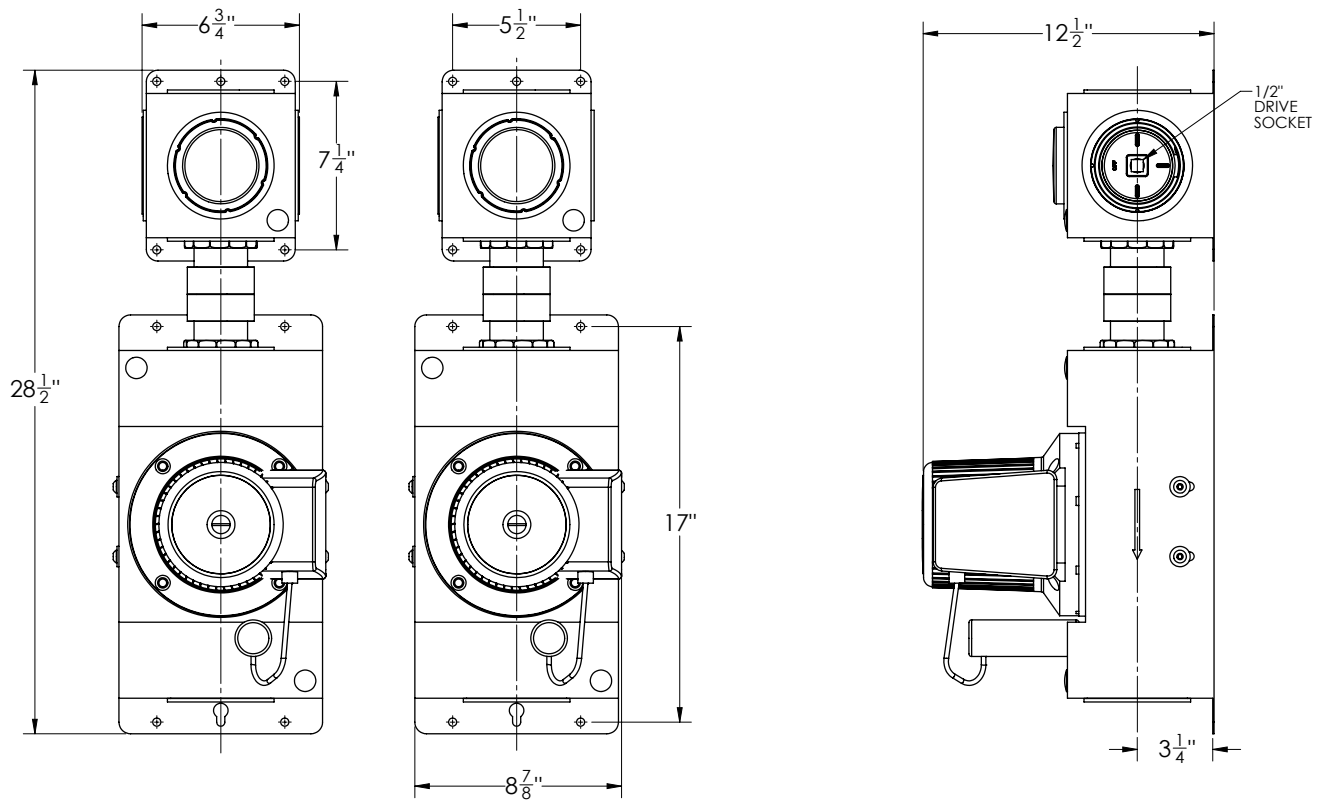


Module should be mounted indoors only.



GEO-FLO CORPORATION
 905 Williams Park Drive
 Bedford, IN 47421
 Phone: 812-275-8513 Fax: 812-275-8523
 www.geo-flo.com

Dimensional Data*:



*Dimensional data provided for informational purposes and is rounded to the nearest $\frac{1}{8}$ "

Flo-Link XL™ Adapter Fittings

Flo-Link XL adapter sets (2 fittings per set) consist of brass, aluminum or HDPE fittings, brass retaining nuts, NBR o-ring seals and stainless steel retaining rings. The Flo-Link XL adapters are pushed into the female ports on the module and secured by hand-tightening the nut.



3318	2" FPT x Flo-Link XL
3380	1" Cam x Flo-Link XL
3486	1.5" Cam x Flo-Link XL
3395	2" Copper SWT x Flo-Link XL
3463	1-1/4" Socket Fusion x Flo-Link XL
3464	1-1/2" Socket Fusion x Flo-Link XL
3465	2" Socket Fusion x Flo-Link XL
3397	2" Hose Barb x Flo-Link XL
3485	Garden Hose Female x Flo-Link XL

GEO-FLO

GEO-FLO CORPORATION
 905 Williams Park Drive
 Bedford, IN 47421
 Phone: 812-275-8513 Fax: 812-275-8523
www.geo-flo.com

Note: Installation Hose kits are available.