



## Submittal Data

FL\_\_ Variable Speed Pressurized Flow Center, Single/Double Pump



Project Name:	Representative:	
Contractor:	Engineer:	
Ref/P.O. #:	Date:	
Submitted by:	Date:	
Qty:	Part #:	Description:

## Technical Data

Circulators: Grundfos UPS26-99 & Grundfos UPMXL 25-124 vari. speed\*, cast iron volute  
 Cabinet: High Impact Polystyrene plastic  
 Insulation: CFC-free, polyurethane foam  
 Valves: 1" Full-port, 3-Way, 4-Position flushing and isolation/service valve, Brass body and spool, NBR seals, stainless steel retaining ring.

\*Available with standard or inverse profile PWM signal.

Max. Fluid Temperature: 140°F [60°C]  
 Min. Fluid Temperature: 20°F [-7°C]  
 Max. Oper. Press.: 145 psi [1 Mpa]  
 Min. Operating Press.: 1.3 psi [9 kPa]  
 Max. Ambient Air Temp: 104°F [40°C]

### Approved Antifreeze

Propylene Glycol  
 Ethanol  
 Methanol

## Electrical Data

UPS26-99 motor: 208-230V, 60 Hz, single phase, 2-pole UL and CSA approved, internal thermal overload protection, insulation class F, three speed

UPMXL 25-124: ECM, 208-230V, 50/60 Hz, single phase, 2-pole, ETL<sub>C/US</sub> approved (meets UL and CSA requirements), electronically protected, insulation class F, 0.04 to 1.5 Amps, variable speed, PWM controlled via external signal

Pump Motor	Speed	Nominal HP	Volts	Amps @ 230V*	Watts @ 230V*	Capacitor	Pump Housing (Volute)
UPS26-99	High	1/6	208-230	0.9	196	5µF/400V	Cast Iron
	Medium			0.8	179		
	Low			0.7	150		
UPMXL 25-124	Variable	N/A	208-230	0.04-1.5	3-180	N/A	Cast Iron

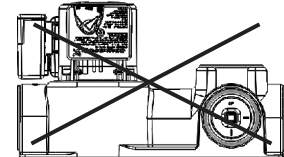
\*Data is maximum for UPS26-99. UPMXL 25-124 varies with RPM.

## Mounting

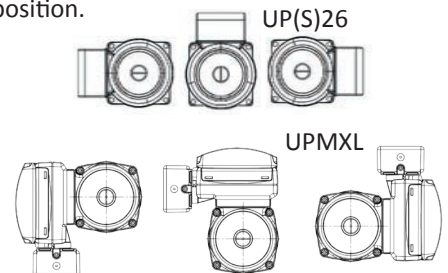
Flow Center is designed for indoor installation only.

Flow Center must be installed with the pump's motor shaft horizontal.

Do not install flow center with the pump's motor shaft vertical.



A condensation weep hole on the pump's motor must be located at the 6 o'clock position.



## Electrical Data: PWM Table

Part Number	Pump PWM Input Type	Heat Pump Controls
FL1L, FL2M, FL2L	Standard Profile	AXB
FL1N, FL2P	Inverted Profile	DXM2
Other	Standard Profile	UPC-GEO

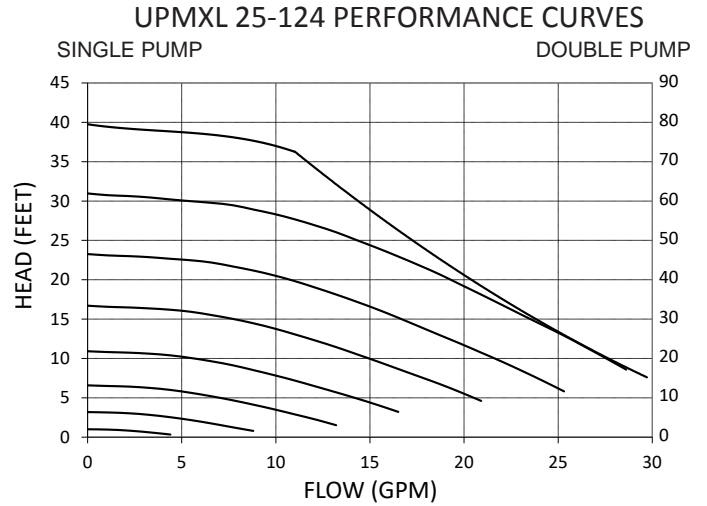
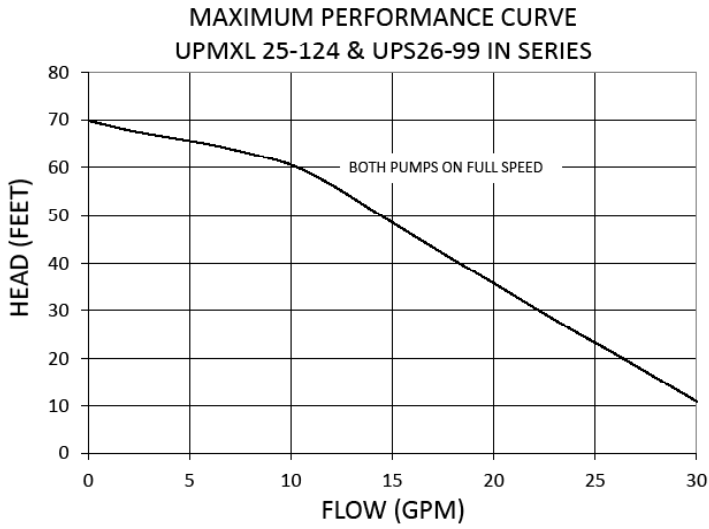
### Notes:

- All variable speed pumps need an external controller to vary the RPM of the pumps.
- Pumps with Standard Profile PWM input will run full speed when no signal is present (i.e. the PWM input cable is disconnected).
- The UPC-GEO controller outputs a signal for Standard PWM Profile pumps.

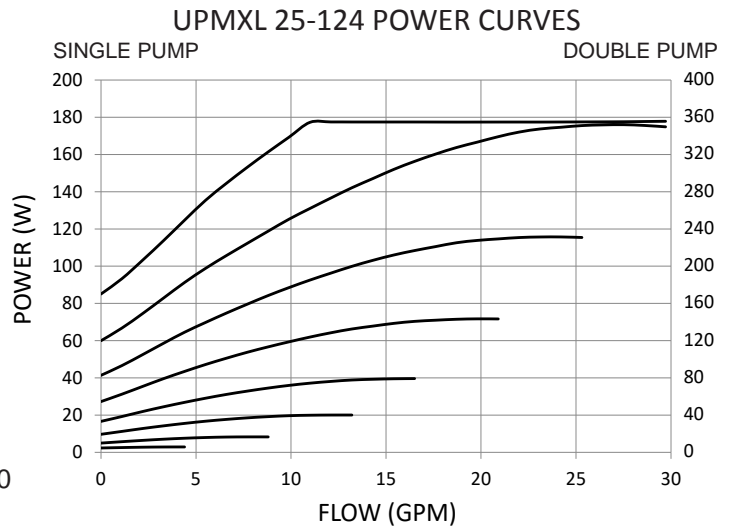
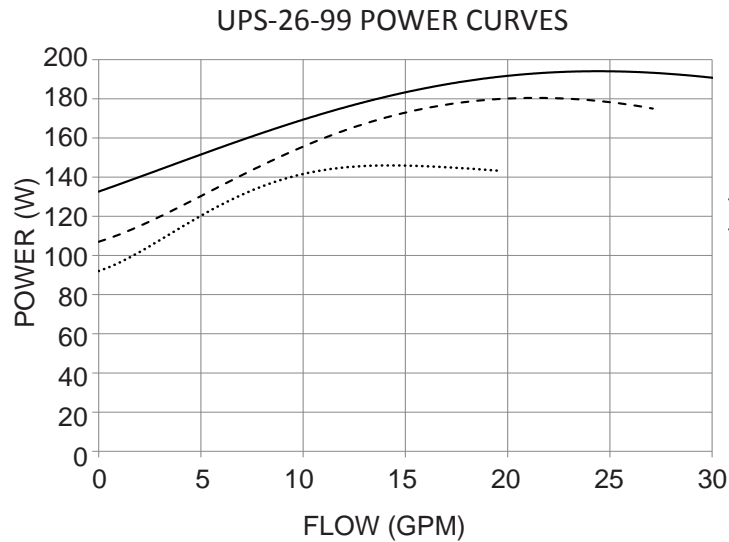


GEO-FLO CORPORATION  
 905 Williams Park Drive  
 Bedford, IN 47421  
 Phone: 812-275-8513 Fax: 812-275-8523  
 www.geo-flo.com

## Pump Performance Curves<sup>1</sup>



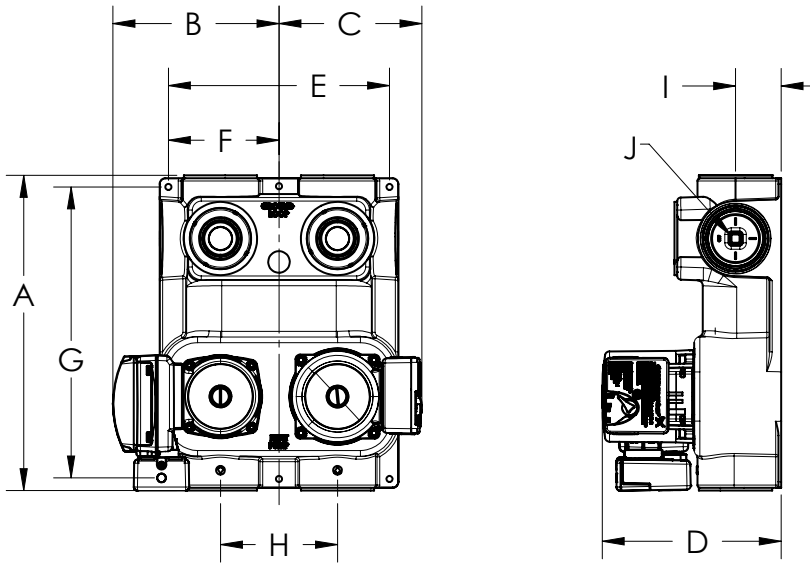
## Pump Power Curves<sup>1</sup>



**GEO-FLO**

GEO-FLO CORPORATION  
 905 Williams Park Drive  
 Bedford, IN 47421  
 Phone: 812-275-8513 Fax: 812-275-8523  
[www.geo-flo.com](http://www.geo-flo.com)

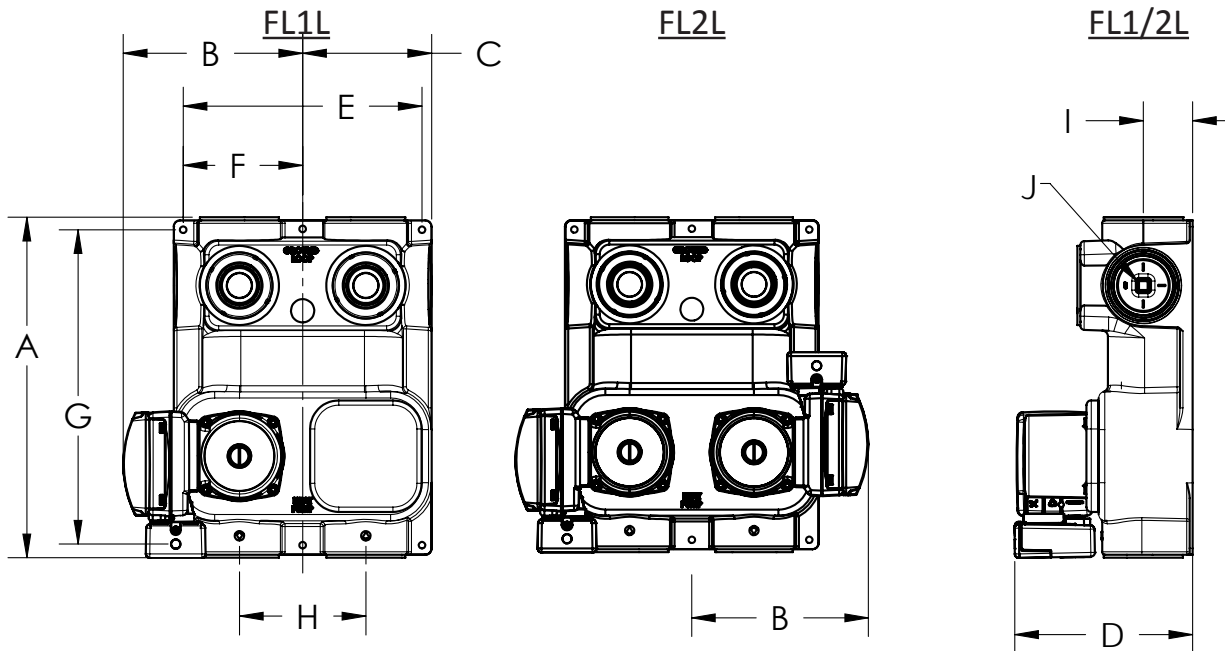
## Dimensional Data<sup>2</sup>



Fluid connections are Flo-Link™ double O-ring style. One set of transition fittings for the ground loop (1-1/4" HDPE socket fusion) are included with the flow center. A Geo-Flo hose kit designed for Flo-Link connections is recommended (not included) for the heap pump connections.

Flow center may be field modified to a one pump flow center by replacing the constant speed pump with a blank plate kit.

	A	B	C	D	E	F	G	H	I	J	WEIGHT	
Inches	13-7/16	7-1/16	6-1/8	7-5/8	19-7/16	4-3/4	12-7/16	5	1-15/16	3/8" DRIVE SOCKET	LBS	KG
CM	34.2	18.0	15.5	19.4	24	12	5.0	12.7	5.0		30	13.6



	A	B	C	D	E	F	G	H	I	J	WEIGHT (LBS)	
Inches	13-7/16	7-1/16	5-1/8	7-1/16	9-7/16	4-3/4	12-7/16	5	1-15/16	3/8" DRIVE SOCKET	FL1L	FL2L
CM	34.2	18.0	13.0	24.0	24.0	12.0	31.6	12.7	5.0		25	31

### NOTES:

- Pump operates in between maximum and minimum curves. Intermediate curves are provided for reference.
- Dimensional data provided for informational purposes and is rounded to nearest 1/16". Metric data is a simple conversion of imperial data and should not be considered more accurate.

# GEO-FLO

GEO-FLO CORPORATION  
 905 Williams Park Drive  
 Bedford, IN 47421  
 Phone: 812-275-8513 Fax: 812-275-8523  
[www.geo-flo.com](http://www.geo-flo.com)